

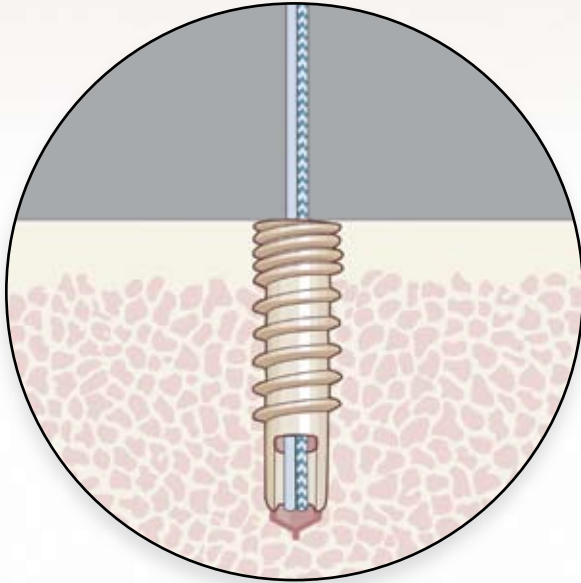
Dual Threaded Suture Anchor

HEALIX

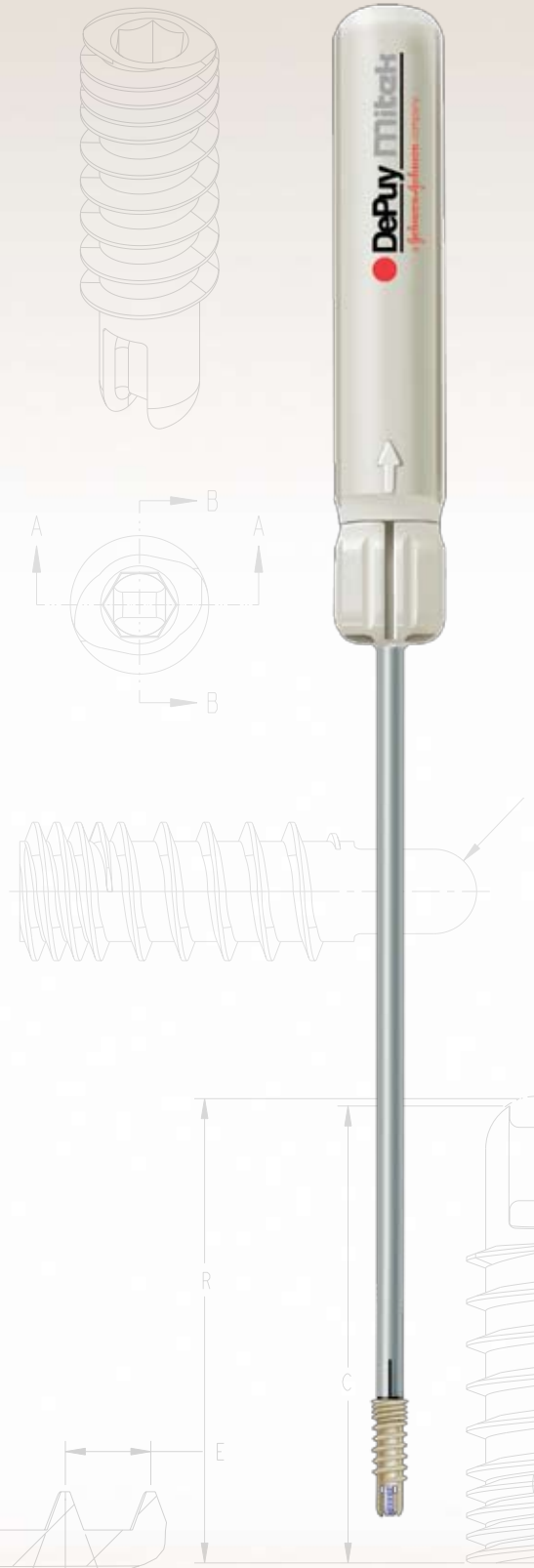
PEEK™



Optimized fixation in rotator cuff repair



- **Dual thread pattern** maximizes pull-out strength by independently engaging both cortical and cancellous bone
- **Increased number of threads*** provide improved bone contact, purchase, and bite
- **Internally driven design** provides increased torque capabilities* and insertion confidence
- **4.5 mm, 5.5 mm, and 6.5 mm** sizes offer versatile options to address a wide variety of techniques
- **High-strength** radiolucent PEEK material
- **ORTHOCORD® suture** preloaded with 2 or 3 strands (5.5 mm and 6.5 mm sizes only)



never stop moving™

 **DePuy**
Mitek Inc.
a Johnson & Johnson company

Dual Threaded Suture Anchor



Optimized fixation in rotator cuff repair

31% stronger than Bio-Corkscrew[†] FT¹

	Average load to failure
5.5 mm HEALIX PEEK	67 lb–295 N
5.5 mm Bio-Corkscrew [†] FT	51 lb–225 N
5.5 mm PEEK Corkscrew [†] FT	59 lb–261 N

18% greater suture abrasion resistance²

	Average cycles to failure
5.5 mm HEALIX PEEK	1,384
5.5 mm Bio-Corkscrew [†] FT	1,172

Ordering Information

Catalog #	Product Description
222205	4.5 mm HEALIX PEEK Anchor w/ ORTHOCORD
222207	5.5 mm HEALIX PEEK 3-Suture Anchor w/ ORTHOCORD
222209	5.5 mm HEALIX PEEK Anchor w/ ORTHOCORD
222210	5.5 mm HEALIX PEEK Anchor w/ ORTHOCORD and Needles
222215	6.5 mm HEALIX PEEK Anchor w/ ORTHOCORD and Needles
222219	6.5 mm HEALIX PEEK 3-Suture Anchor w/ ORTHOCORD
222221	6.5 mm HEALIX PEEK Anchor w/ ORTHOCORD
222223	HEALIX Awl
222224	HEALIX 5.5 mm Awl/Tap
222225	HEALIX 6.5 mm Awl/Tap
222226	HEALIX 4.5 mm Awl/Tap
222251	HEALIX 5.5 CORTICAL Awl/Tap Combo



4.5 mm 5.5 mm 6.5 mm



For more information, call your DePuy Mitek representative at 1-800-382-4682 or visit us at www.depuymitek.com. DePuy Mitek, Inc., 325 Paramount Drive, Raynham, MA 02767.

©DePuy Mitek, Inc. 2009. All rights reserved. Printed in the USA. P/N 900984 Rev. B
Dyneema® Purity is a registered trademark of Royal DSM N.V.

[†]Compared with SPIRALOK™ Anchor.

¹Bio-Corkscrew FT and PEEK Corkscrew FT are registered trademarks of Arthrex, Inc.
²1,2. Data on file.

never stop moving™

