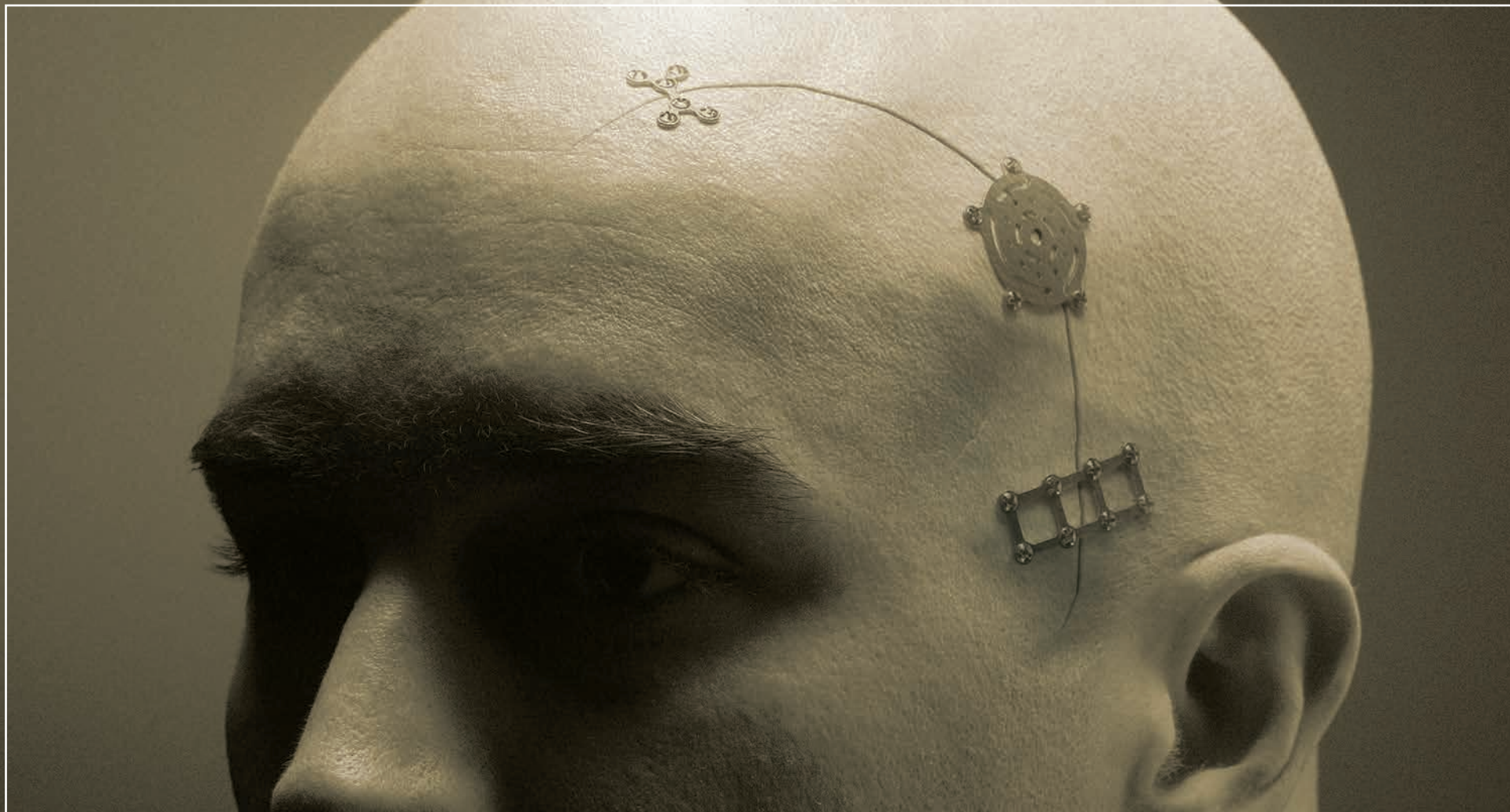


# Lorenz® Plating System Neuro



**BIOMET**  
MICROFIXATION

One Surgeon. One Patient.

# Setting the Standard



## 1.5mm High Torque Self-Drilling Screws

- Provides maximum screw-blade retention
- Compatible with standard screwdrivers, Power Driver, and RapidFire delivery system



## RapidFire® Delivery System

- Eliminates screw loading in the OR
- Provides the security of factory-loaded retention



Patented technology available only from Biomet. U.S. Patent no. US7461574B2

## New 1.5mm Plate Design

- Provides lower overall plate-screw profile
- Compatible with 1.5mm high torque self-drilling screws



## Innovative Products. Rapid Response.

The Rapid Response program at Biomet Microfixation is committed to providing quality products designed to meet the unique needs of each surgeon.

Using our advanced resources, including a dedicated team of Rapid Response engineers and in-house manufacturing facilities, we can produce specialty implants and instrumentation at an accelerated pace.

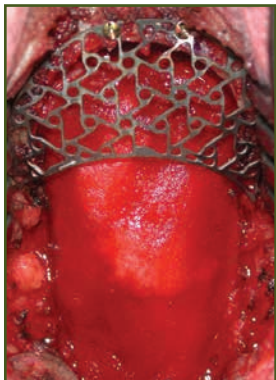
It's all a part of our partnership to meet the needs of you and your patients.

### Rapid Response Advantages

- Specialize in designing and modifying plates, screws, blades, instrumentation and trays
- Rapid prototyping of plates, instrumentation, and trays
- Rapid turnaround time for most cases

### Chiari Mesh

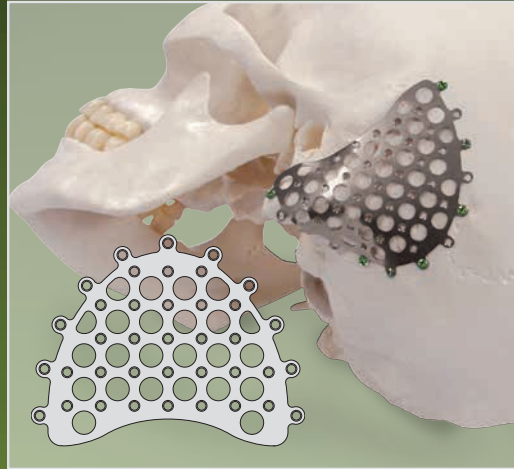
Allows for physiological correction following the removal of suboccipital bone.



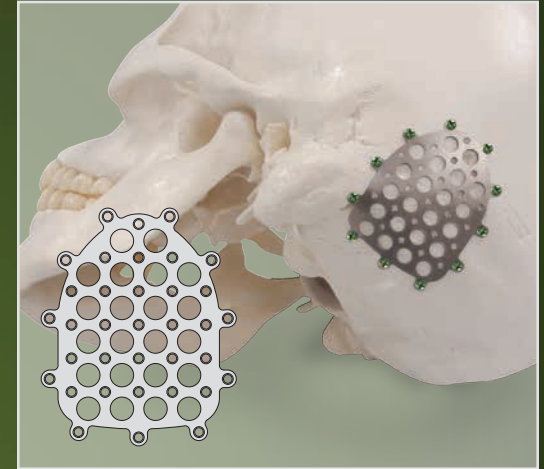
Images provided courtesy of John J. Oró, MD, The Neurosurgery Center of Colorado, Aurora, CO

The Rapid Response program has developed a series of specialty plates designed to accommodate your selected surgical approach.

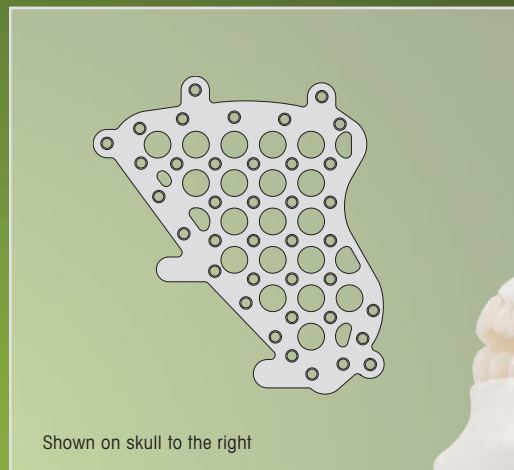
### Translabyrinthine



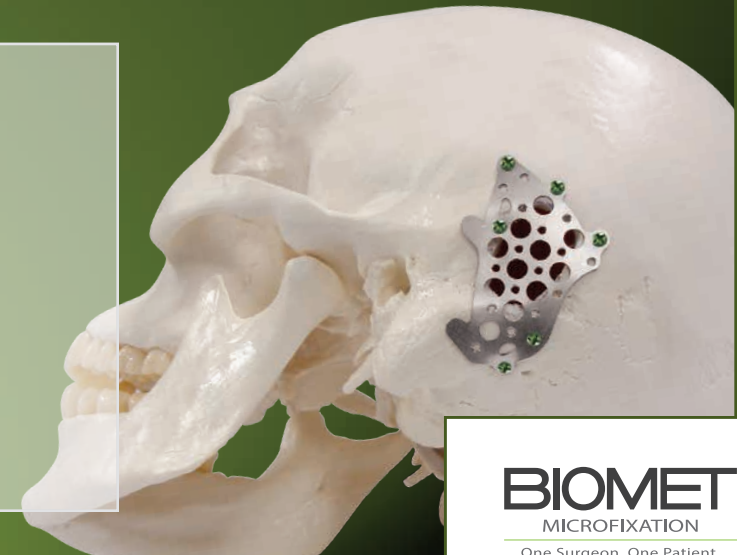
### Retrosigmoid



### Retromastoid







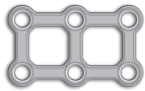
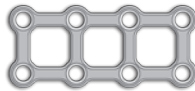

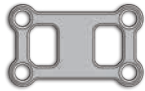
Shown on skull to the right










Specialty Plates not to scale






**BIOMET**  
MICROFIXATION  
One Surgeon. One Patient.

# Neuro Implants

							
4-Hole, Medium Double T Plate 15mm 01-7092	4-Hole, Long Double T Plate 18mm 01-7093	4-Hole Square Plate 12mm 01-7131	3-Hole Triangle Plate 14mm 01-7132	2 x 3-Hole Rectangle Plate 18mm 01-7136	2 x 4-Hole Rectangle Plate 25mm 01-7137	4-Hole, Wide Strut Square, 12mm 0.5mm Thick 01-7357	4-Hole, Rectangle Plate, 18mm 0.5mm Thick 01-7359

	
2-Hole, Medium Straight Plate, 12mm 01-7345	2-Hole, Long Straight Plate, 16mm 01-7347
	
4-Hole, Regular Straight Plate, 16mm 01-7040	4-Hole, Medium Straight Plate, 17mm 01-7045
	
4-Hole, Long Straight Plate, 19mm 01-7047	4-Hole, X-Long Straight Plate, 20mm 01-7048
	
6-Hole, Regular Straight Plate, 24mm 01-7050	6-Hole Orbital Plate, 24mm 01-7126
	
16-Hole, Regular Straight Plate, 64mm 01-7066	

						
5-Hole, Regular Y Plate 16mm 01-7100	5-Hole, Long Y Plate 18mm 01-7102	5-Hole, X-Long Y Plate 19mm 01-7104	6-Hole, Regular Double Y Plate 15mm 01-7110	6-Hole, Long Double Y Plate 16mm 01-7112	6-Hole, X-Long Double Y Plate 18mm 01-7114	4-Hole X Plate 12mm 01-7120

				
13mm Burr Hole Plate, 0.5mm Thick 01-7306	18.5mm Burr Hole Plate, 0.5mm Thick 01-7308	18.5mm Shunt Plate 0.5mm Thick 01-7305	22mm Burr Hole Plate, 0.5mm Thick 01-7309	25mm Burr Hole Plate, 0.5mm Thick 01-7310

Items to scale

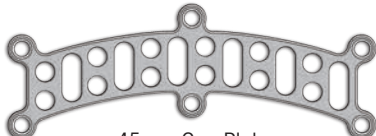
Note: Plate profile is 0.6mm unless otherwise noted. Plate dimensions are approximate.



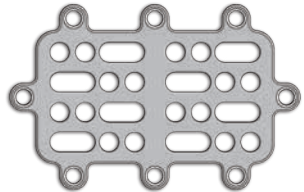
25mm Gap Plate  
01-7351



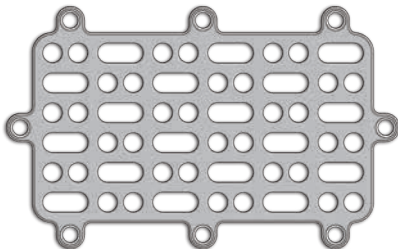
35mm Gap Plate  
01-7353



45mm Gap Plate  
01-7355



8-Hole Small Sub-Temporal Plate, 38mm  
01-7361

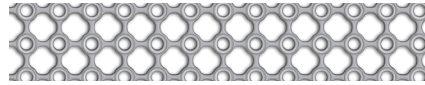


8-Hole Sub-Temporal Plate, 52mm  
01-7363

Note: Plate profile is 0.5mm

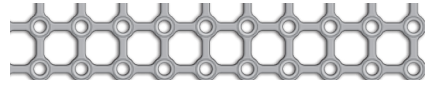
Items to scale

### Panel, Small Grid



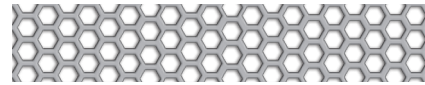
85mm x 53mm 0.6mm Thick 01-7182	85mm x 53mm 0.3mm Thick 01-7185	100mm x 100mm 0.3mm Thick 01-7188
---------------------------------------	---------------------------------------	---

### Panel, Regular Grid



80mm x 53mm, 0.6mm Thick  
01-7180

### 1.0/1.5 Titanium Sheet



85mm x 50mm 0.2mm Thick 01-7340	203mm x 127mm 0.2mm Thick 01-7341
---------------------------------------	---

### 1.5mm Contourable Mesh



100mm x 100mm 0.6mm Thick 01-7249	206mm x 123mm 0.3mm Thick 01-7250
206mm x 123mm 0.6mm Thick 01-7251	85mm x 55mm, 0.3mm Thick SP-1841

### 1.5mm Ultra Pre-Contoured Mesh (pattern same as above)

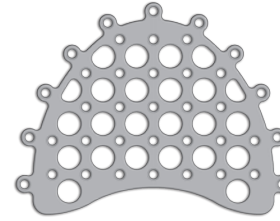
40mm x 40mm 0.6mm Thick 01-7017	40mm x 40mm 0.3mm Thick 01-7019	163mm x 115mm 0.3mm Thick 01-7065
---------------------------------------	---------------------------------------	---

163mm x 115mm, 0.6mm Thick  
01-7069

Note: Partial view of actual size shown

## Specialty Plates

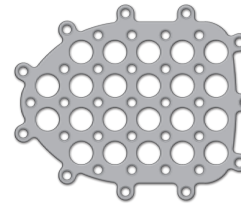
### Translabyrinthine Plates



Small, 52mm x 40mm    Large, 59mm x 45mm

0.3mm Thick SP-1836	0.3mm Thick SP-1837
0.3mm Thick Malleable SP-2090	0.3mm Thick Malleable SP-2087
0.6mm Thick SP-1796	0.6mm Thick SP-1797

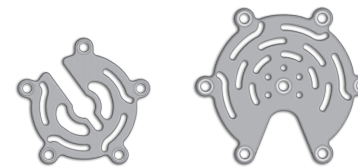
### Retrosigmoid Plates, 0.3mm Thick



Small  
45mm x 37mm  
SP-1842

Large  
54mm x 45mm  
SP-1798

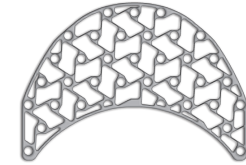
### Shunt Plates



Shunt Plate, 18.5mm,  
0.5mm Thick  
SP-1528

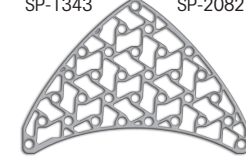
Shunt Plate, 25mm,  
0.5mm Thick  
SP-2321

### Chiari Plates 0.6mm Thick



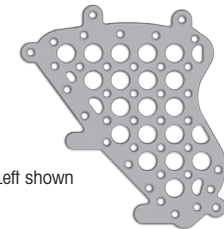
Small  
42mm x 30mm  
SP-1343

Large  
55mm x 38mm  
SP-2082



Triangle, 43mm x 48mm  
SP-2281

### Retromastoid Plate, 0.3mm Thick



\*Left shown

Small, 41mm x 39mm  
Left: SP-2250    Right: SP-2249

Medium, 48mm x 45mm  
Left: SP-2139    Right: SP-2138

Large, 53mm x 48mm  
Left: SP-2136    Right: SP-2135

Specialty Plates not to scale

Note: Specialty Plates developed through Rapid Response Department

# Neuro Screws & Instruments

## HT X-Drive Screws and Blades

### 1.5mm Self-Drilling Screws (5pk)

Part #	Description
95-6103	Self-Drilling HT X-Drive Screw 1.5 x 3.5mm
95-6104	Self-Drilling HT X-Drive Screw 1.5 x 4mm
95-6105	Self-Drilling HT X-Drive Screw 1.5 x 5mm
91-XXXX	For Single Screws



### 1.5mm Screws (5pk)

95-1503	HT X-Drive 1.5 x 3.5mm
95-1504	HT X-Drive 1.5 x 4mm
95-1505	HT X-Drive 1.5 x 5mm
95-1803	HT X-Drive Emergency Screw 1.8 x 3.5mm
95-1805	HT X-Drive Emergency Screw 1.8 x 5mm
91-XXXX	For Single Screws



### 1.5mm HT X-Drive Blades

15-1196	1.5 HT X-Lock Standard
15-1194	1.5 HT X-Lock Short
50-1015	1.5mm HT X-Lock Power Driver Blade

## Center-Drive Screws and Blades

### 1.5mm Self-Drilling Screws (5pk)

Part #	Description
01-7283	SD Center-Drive Screw 1.5 x 3.5mm
01-7284	SD Center-Drive Screw 1.5 x 4mm
01-7285	SD Center-Drive Screw 1.5 x 5mm
99-XXXX	For Single Screws



### 1.5mm Center-Drive Screws (5pk)

01-7203	Center-Drive 1.5 x 3.5mm
01-7204	Center-Drive 1.5 x 4mm
01-7205	Center-Drive 1.5 x 5mm
01-7223	Center-Drive Emergency Screw 1.8 x 3.5mm
01-7225	Center-Drive Emergency Screw 1.8 x 5mm
99-XXXX	For Single Screws

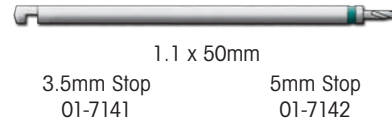


### 1.5mm HT X-Drive Blades

01-7176	1.5 Center-Drive Standard
01-7171	1.5 Center-Drive Short

## Twist Drills & Handles

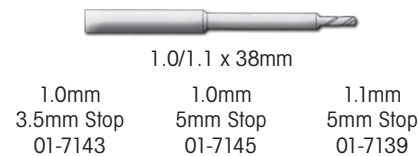
### J-Notch Drills



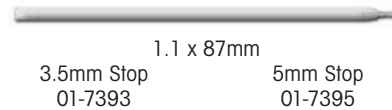
### Hand Drills



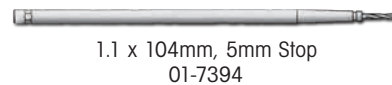
### Midas Rex Drills



### Hall Drills



### Black Max Drill

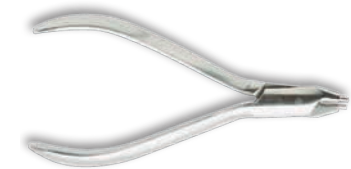


Green Screwdriver Handle  
01-7390



Standard Screwdriver Handle  
01-7164

## Instrumentation



## Standard Neuro Tray (Shown on inside cover)



1.5mm Standard Neuro Tray  
(Includes screw dial and ID tags)  
15-1050

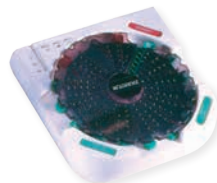


1.5/2.0mm  
Rack System  
15-1150

## Optional Components



ID Tags with Removal Tool  
15-1053



1.5mm Screw Dial  
15-1050-08



Skull Base Plate Insert  
SP-2133 (white)  
SP-2133-B (black)



Generic Plate Insert  
SP-2134 (white)  
SP-2134-B (black)

Can be used in place of RapidFire insert provided in standard Neuro tray.  
Must order 2 (of either insert) for proper fit in tray

## Small Neuro Tray



1.5mm Small  
Neuro Tray  
01-7315

## Power Driver™

1.5mm HT X-Lock Blade Power Driver  
50-1015

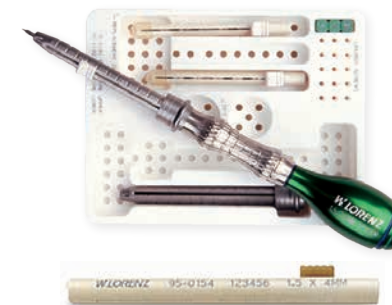
Power Driver  
Battery (Single PK)  
50-1010

Power Driver  
50-1000



Power Driver Tray  
(Drivers not  
included)  
15-1052

## RapidFire®



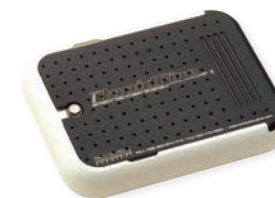
- 95-0153 RapidFire Clip 1.5 x 3.5mm HT SD
  - 95-0154 RapidFire Clip 1.5 x 4.0mm HT SD
  - 95-0155 RapidFire Clip 1.5 x 5.0mm HT SD
- (all 95-XXXX RapidFire Clips loaded with 5 Screws)



Upper Assembly  
Driver Engagement  
15-1191



Lower Assembly  
Clip Retaining Blade  
15-1192



RapidFire Tray  
15-1189

ALLOGENIX  
DBM

HTR  
Custom Cranial Implant

THINFLAP  
Low-Profile Plating System

STERILETRAC  
Sterile-Packaged Plating System

RAPIDFLAP  
Two-Sided Fixation

RAPIDFLAP LS  
Resorbable Two-Sided Fixation

RAPIDFIRE  
Rapid Screw Delivery System

What fascinates you about the body is also what drives us. That's why we're always pushing the boundaries of engineering to make products that help you keep the human form as glorious as it was intended. To learn more about our breadth of products, call 800-874-7711 or visit us online at [biometmicrofixation.com](http://biometmicrofixation.com). We'd love to join you in a conversation about the future.

# BIOMET

MICROFIXATION

One Surgeon. One Patient.

## GLOBAL HEADQUARTERS

1520 Tradeport Drive • Jacksonville, FL 32218-2481  
Tel (904) 741-4400 • Toll-Free (800) 874-7711 • Fax (904) 741-4500 • Order Fax (904) 741-3059  
[www.biometmicrofixation.com](http://www.biometmicrofixation.com)

## EUROPE

Toermalijnring 600 • 3316 LC Dordrecht • The Netherlands  
Tel +31 78 629 29 10 • Fax 31 78 629 29 12  
e-mail: [europa@biomet.com](mailto:europa@biomet.com)

As the manufacturer of this device, Biomet Microfixation does not practice medicine and does not recommend this product for use on a specific patient. The surgeon who performs any implant procedure must determine the appropriate device and surgical procedure for each individual patient. Information contained in this brochure is intended for surgeon or distributor information only and is not intended for patient distribution. All surgeries carry risks. For additional information, please see package insert, or visit our web site at [www.biometmicrofixation.com](http://www.biometmicrofixation.com) or call 1-800-874-7711.

SterileTrac™, ThinFlap™, and Power Driver™ are trademarks of Biomet Microfixation. RapidFire® is a registered trademark of Biomet Microfixation. RapidFire® Patent no. US7461574B2